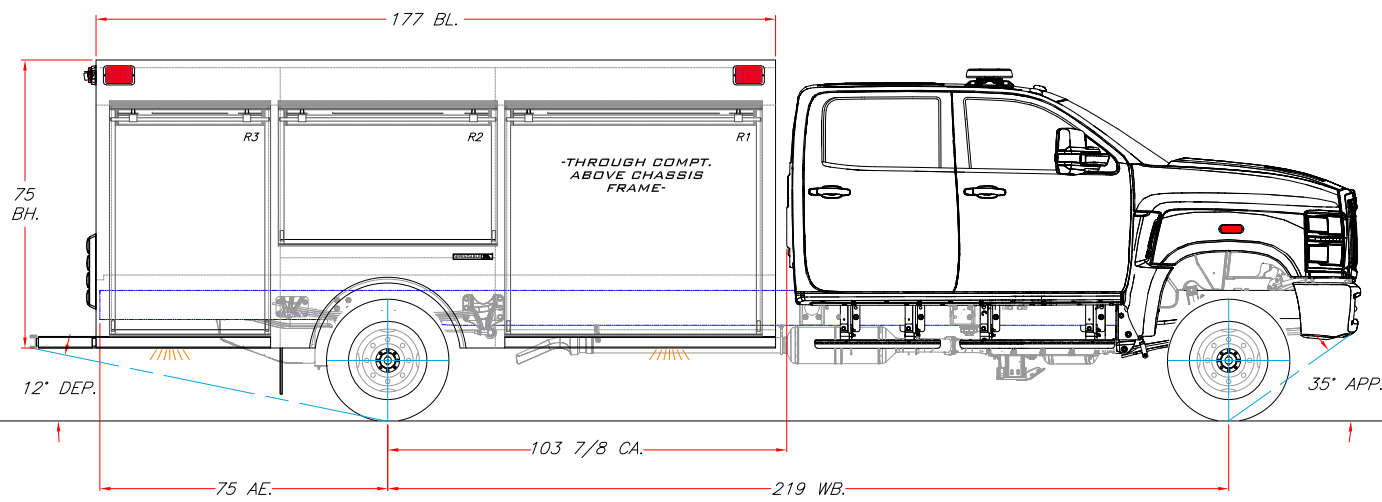
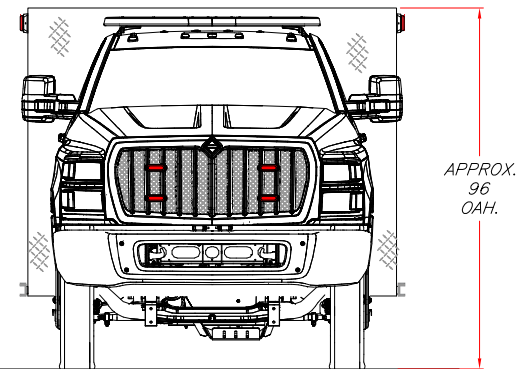


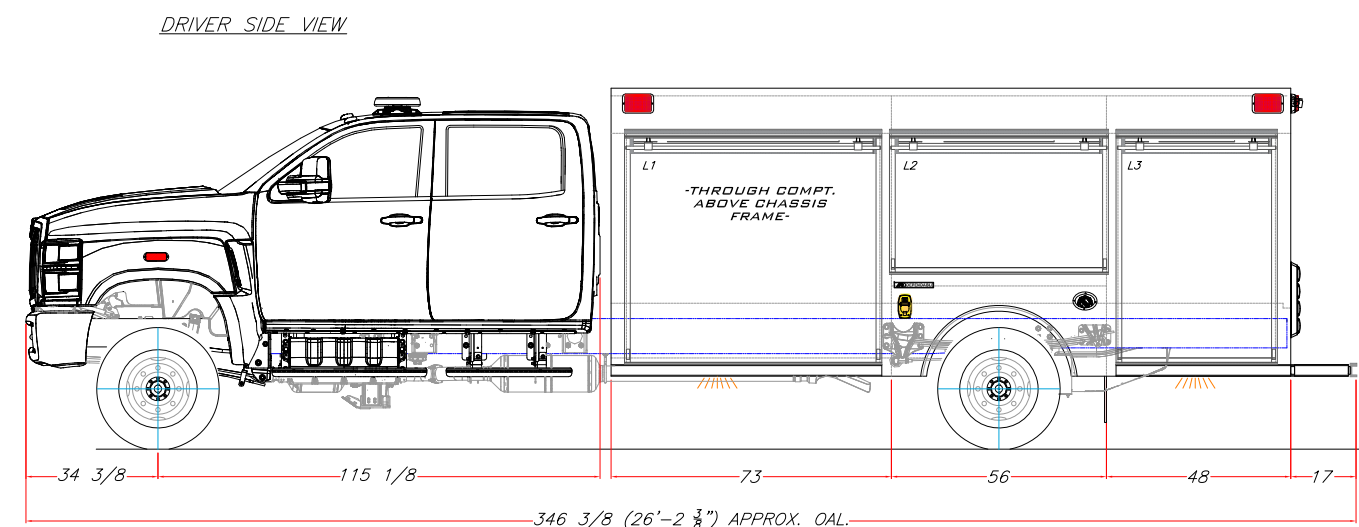
TOP VIEW



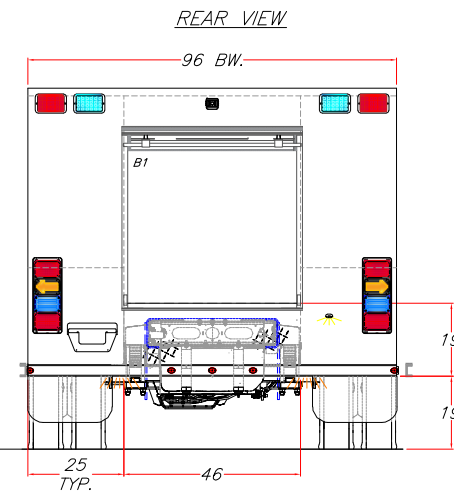
PASSENGER SIDE VIEW



FRONT VIEW



DRIVER SIDE VIEW



REAR VIEW

CAB

CAB & CHASSIS MODEL:	2023 INTERNATIONAL CV515 CREWCAB 4X4 SFA
ENGINE:	DIESEL INTERNATIONAL 6.6
HORSEPOWER:	350HP @ 2700 RPM GOV. 2900 RPM
ENGINE TORQUE:	700 LB/FT. @ 1600 RPM
TRANSMISSION:	ALLISON 2700 EVS
GVWR:	23,000 LBS.
FRONT AXLE RATING:	7,500 LBS.
REAR AXLE RATING:	15,500 LBS.

BODY MATERIAL

.188 5052 H32 MARINE GRADE ALUM.
.188 & .125 3003 H22 ALUM. CHECKER PLATE

COMPARTMENT DIMENSIONS

	INTERIOR (APPROX.)			DOOR OPENING (APPROX.) W/ DOOR INSTALLED	
	W	H	D	W	H
L1/R1	67	62	23.5/THRU	64	53
L2/R2	54	39	23.5	54	29.5
L3/R3	44	62	23.5	39	53
B1	46	53	102	44	39

INTERIOR CUBIC FEET: W X H X D/ 1728

IMPORTANT NOTES



THIS DRAWING IS A CLOSE APPROXIMATION OF YOUR FIRE APPARATUS IN ALL CASES WHERE THE DRAWING AND THE WRITTEN SPECIFICATION DIFFER, THE SPECIFICATION SHALL PREVAIL. PLEASE WORK WITH YOUR DEALER TO ASSURE THAT THE WRITTEN SPECIFICATION REPRESENTS WHAT YOU WANT IN YOUR FINISHED PRODUCT

APPROVED BY CUSTOMER:

SALES CONCEPTUAL DRAWING ONLY

ALL DIMENSIONS ARE SUBJECT TO CHANGE DUE TO MANUFACTURING PROCESSES

UNLESS OTHERWISE NOTED:

TOLERANCES ARE:



THIS DRAWING IS THE CONFIDENTIAL PROPERTY OF DEPENDABLE EMERGENCY VEHICLES

DRAWN BY: PC

APPROVED BY: -

PAGE: 1-OF-1

SCALE:

CUSTOMER: DEV STOCK

DESCRIPTION: DEV STOCK 2305 MED RESCUE AROUND

SPEC. #:

DATE: 02/28/2022

DWG. #: 2305

PC	2	BODY WIDTH CHANGE TO 96"	03/24/2023
PC	1	PRELIMINARY DRAWING	11/07/2022
INIT. REV.		DESCRIPTION	DATE