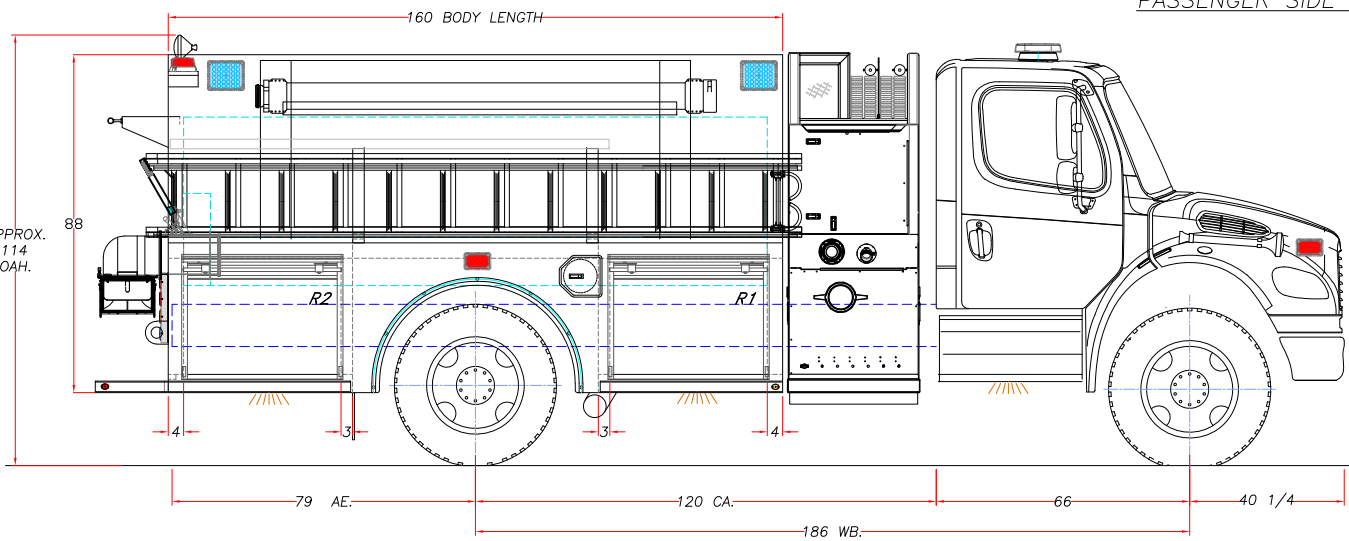
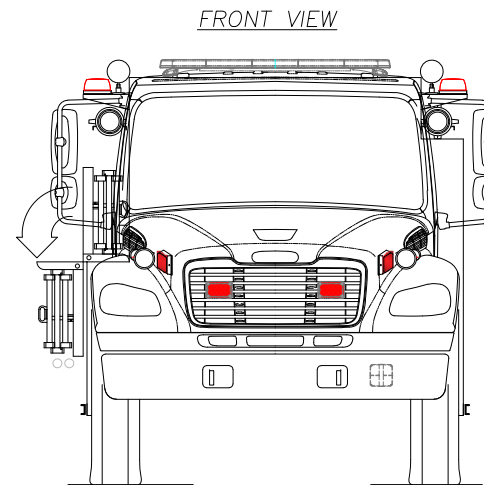


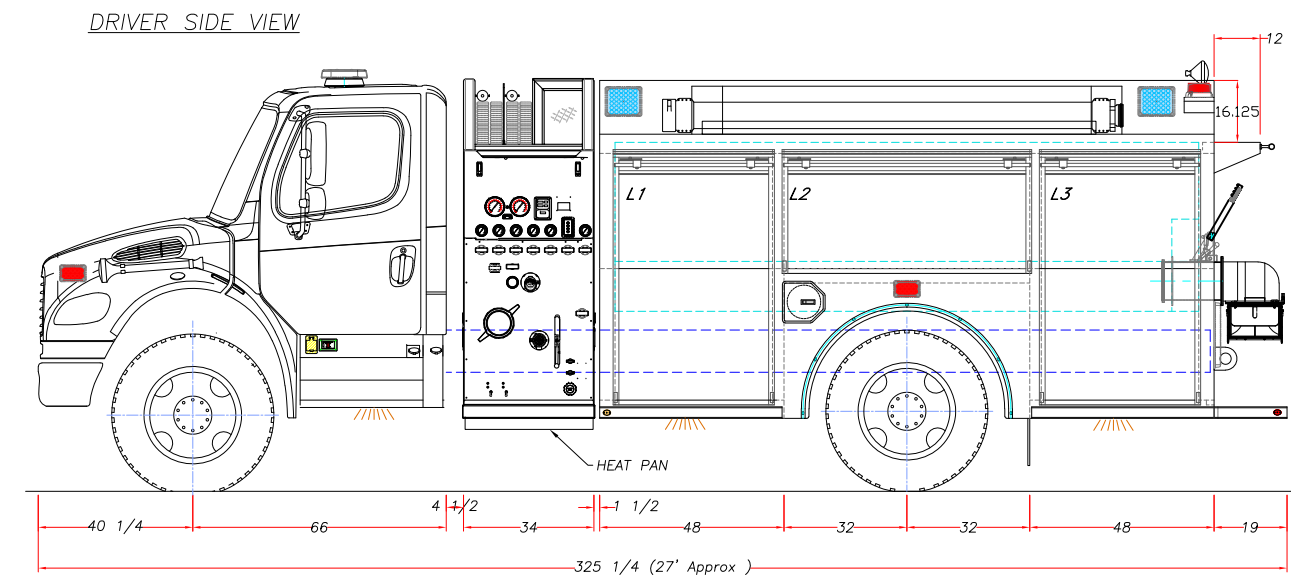
TOP VIEW



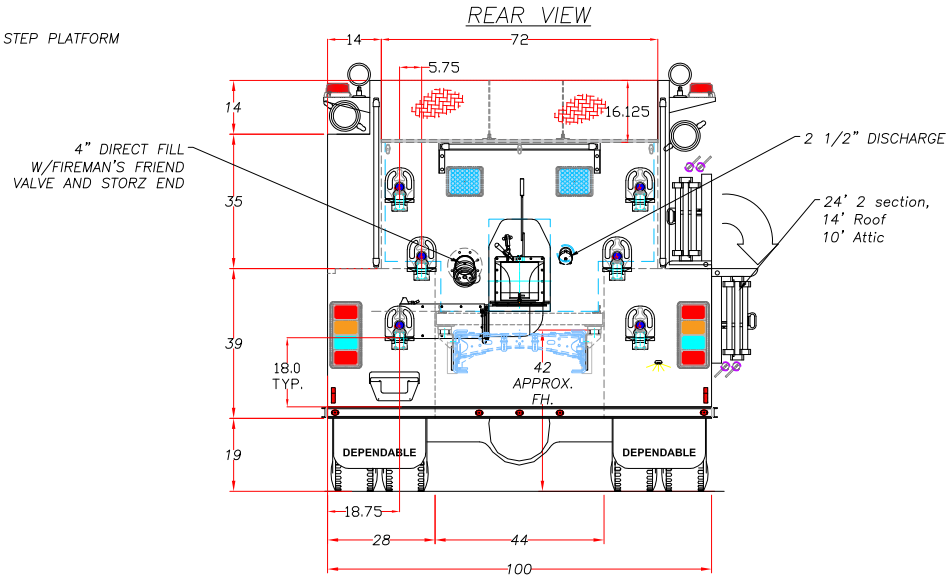
PASSENGER SIDE VIEW



FRONT VIEW



DRIVER SIDE VIEW



REAR VIEW

CAB

CAB & CHASSIS MODEL:	2024 FREIGHTLINER M2 106+ 2DR
ENGINE:	DETROIT DIESEL 8 7.7L
HORSEPOWER:	350 HP @ 2200 RPM , GOV 2600 RPM
ENGINE TORQUE:	1050 LB/FT. @ 1200 RPM
TRANSMISSION:	ALLISON 3000EVS
GVWR:	47,000 LBS.
FRONT AXLE RATING:	16,000 LBS.
REAR AXLE RATING:	31,000 LBS.

BODY MATERIAL

.188 5052 H32 MARINE GRADE ALUM.
.188 & .125 3003 H22 ALUM. CHECKER PLATE

PUMP

HALE DSD (1500 USGPM) ULC TESTED TO 5000 LPM
--

FOAM SYSTEM

N/A

WATER TANK

1500 USG POLYTANK
25 USG FOAM

COMPARTMENT DIMENSIONS

	INTERIOR (APPROX.)			DOOR OPENING (APPROX.) W/ DOOR INSTALLED	
	W	H	D	W	H
L1	46	67	12/26	39	58.5
L2	62	32	12	62	23
L3	46	67	12/26	39	58.5
R1	46	34	26	39	24.5
R2	46	34	26	39	24.5

INTERIOR CUBIC FEET: W X H X D/ 1728

IMPORTANT NOTES



THIS DRAWING IS A CLOSE APPROXIMATION OF YOUR FIRE APPARATUS IN ALL CASES WHERE THE DRAWING AND THE WRITTEN SPECIFICATION DIFFER, THE SPECIFICATION SHALL PREVAIL. PLEASE WORK WITH YOUR DEALER TO ASSURE THAT THE WRITTEN SPECIFICATION REPRESENTS WHAT YOU WANT IN YOUR FINISHED PRODUCT

APPROVED BY CUSTOMER: _____ DATE: _____

SALES CONCEPTUAL DRAWING ONLY

ALL DIMENSIONS ARE IN INCHES

ALL DIMENSIONS ARE SUBJECT TO CHANGE DUE TO MANUFACTURING PROCESSES

UNLESS OTHERWISE NOTED:

TOLERANCES ARE:



THIS DRAWING IS THE CONFIDENTIAL PROPERTY OF DEPENDABLE EMERGENCY VEHICLES

DRAWN BY: PC

APPROVED BY:

PAGE:

SCALE:

PC	1	PRELIMINARY SALES DWG.	04/28/2023
INIT. REV.		DESCRIPTION	DATE

CUSTOMER: -

DESCRIPTION: 2210 TANKER PUMPER UNIT

SPEC. #: 2210

DATE: 10/23/2023 DWG. #: 2210