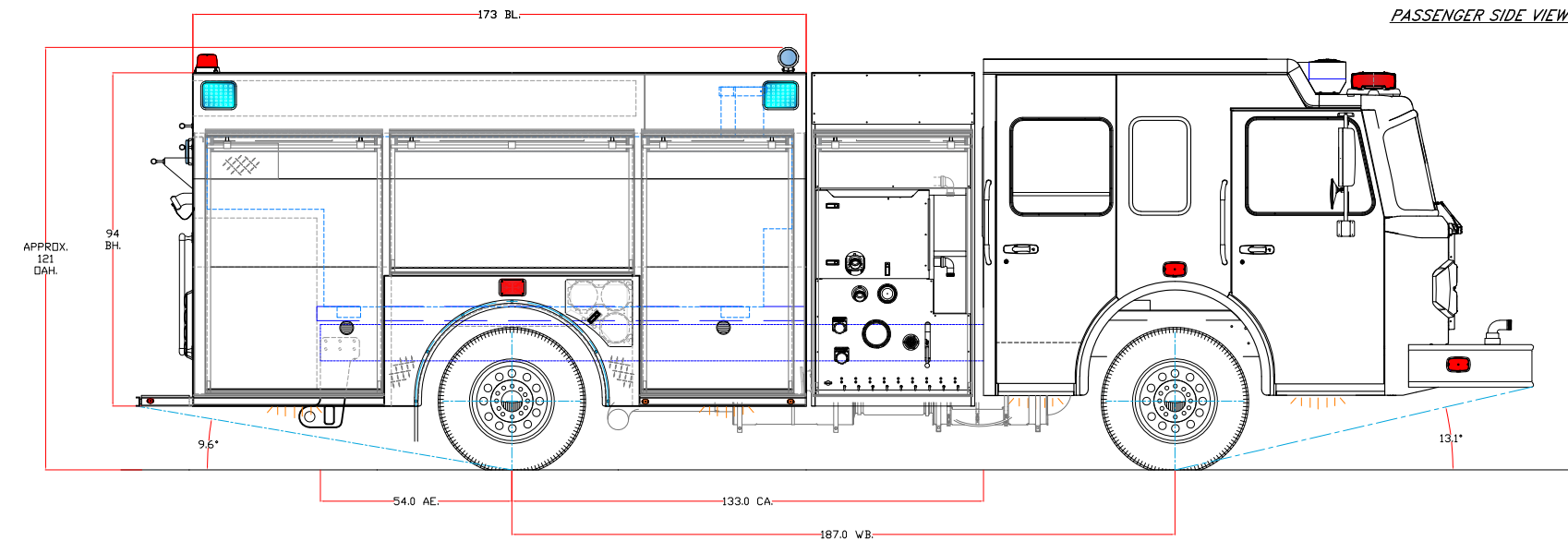
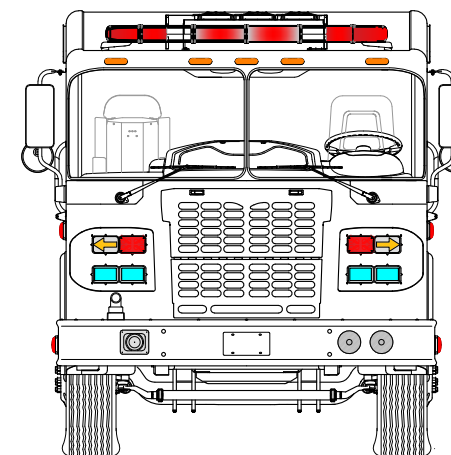


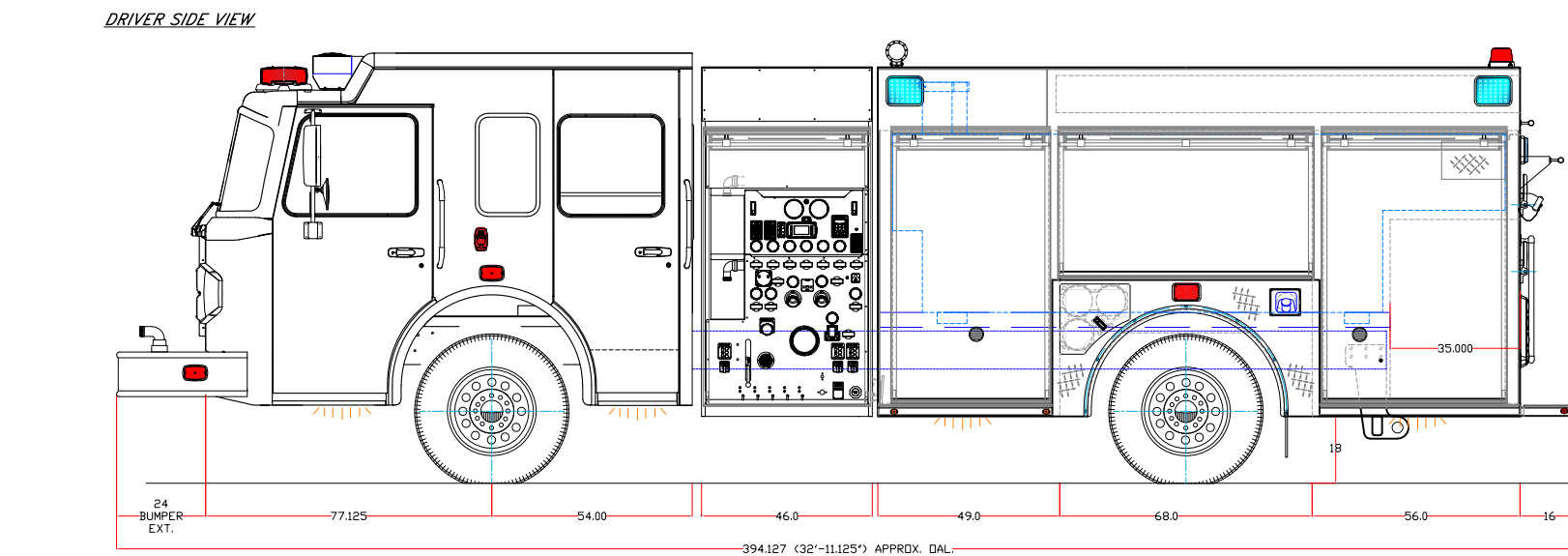
TOP VIEW



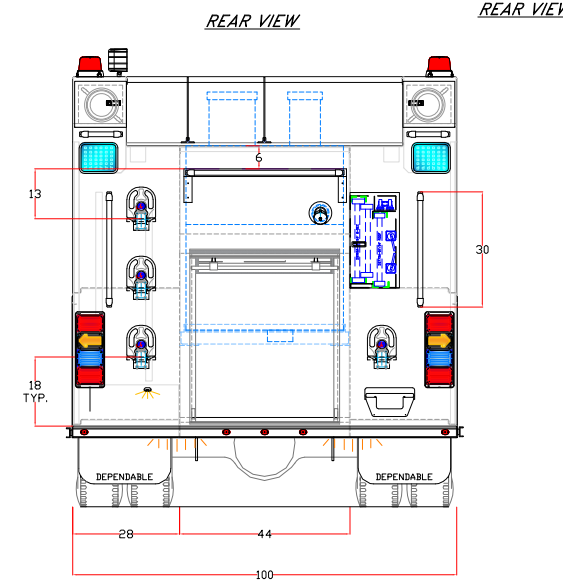
PASSENGER SIDE VIEW



FRONT VIEW



DRIVER SIDE VIEW



REAR VIEW

REAR VIEW

CAB

CAB & CHASSIS MODEL:	2023 SPARTAN METRO STAR MFD 10" RR
ENGINE:	CUMMINS L9
HORSEPOWER:	380HP @ 2200 RPM GOV. 2200
ENGINE TORQUE:	1150 LB/FT. @ 1200 RPM
TRANSMISSION:	ALLISON 3000 EVS
GVWR:	47,000 LBS.
FRONT AXLE RATING:	20,000 LBS.
REAR AXLE RATING:	27,000 LBS.

BODY MATERIAL

.188 5052 H32 MARINE GRADE ALUM.
 .188 & .125 3003 H22 ALUM. CHECKER PLATE
 ALUMINUM EXTRUSION SUBFRAME

PUMP

HALE QMAX XS 1750 GPM (ULC TO 6000LPM)

FOAM SYSTEM

CLASS1 SMARTFOAM 2.1A

WATER TANK

1000 USG POLYTANK
 30 USG FOAM INTEGRATED CELL

COMPARTMENT DIMENSIONS

	INTERIOR (APPROX.)			DOOR OPENING (APPROX.) W/ DOOR INSTALLED	
	W	H	D	W	H
L1	43	77	26	40	67
L2	66	42	26	66	32
L3	50	77	26	47	67
R1	43	77	13/26	40	67
R2	66	42	13/26	66	32
R3	50	77	13/26	47	67
B1	42	47.5	33	36	37

INTERIOR CUBIC FEET: W X H X D / 1728

IMPORTANT NOTES

LADDER STORAGE:
 -DUO SAFETY LADDERS
 ONE(1)900A 24' 2 SECTION
 ONE(1)775A 14' ROOF
 ONE(1)585A 10' ATTIC FOLDING
 TWO(2) PIKE POLES - 12' MAX. LENGTH

SUCTION STORAGE:
 TWO(2) 6"X12' TOP REAR LS,RS.

PC	1	PRELIMINARY DRAWING	11/2/2022
INIT. REV.		DESCRIPTION	DATE



THIS DRAWING IS A CLOSE APPROXIMATION OF YOUR FIRE APPARATUS IN ALL CASES WHERE THE DRAWING AND THE WRITTEN SPECIFICATION DIFFER, THE SPECIFICATION SHALL PREVAIL. PLEASE WORK WITH YOUR DEALER TO ASSURE THAT THE WRITTEN SPECIFICATION REPRESENTS WHAT YOU WANT IN YOUR FINISHED PRODUCT.

APPROVED BY CUSTOMER: _____ DATE: _____

UNLESS OTHERWISE NOTED:
 TOLERANCES ARE:



3RD ANGLE PROJECTION

ALL DIMENSIONS ARE IN INCHES

ALL DIMENSIONS ARE SUBJECT TO CHANGE
 DUE TO MANUFACTURING PROCESSES

THIS DRAWING IS THE CONFIDENTIAL PROPERTY
 OF DEPENDABLE EMERGENCY VEHICLES

DRAWN BY:	PC	CUSTOMER:	DEV STOCK
APPROVED BY:		DESCRIPTION:	DEV STOCK 2205 PUMPER
PAGE:		SPEC. #:	-
SCALE:		DATE:	11/02/22
		DWG. #:	2205